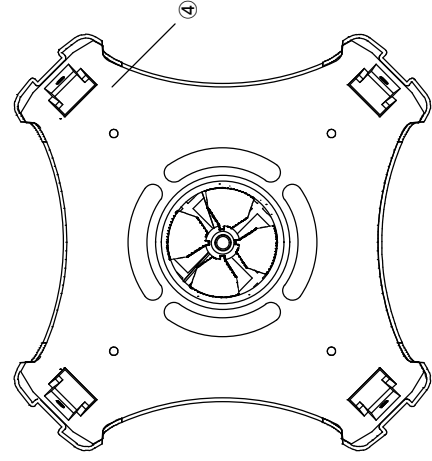
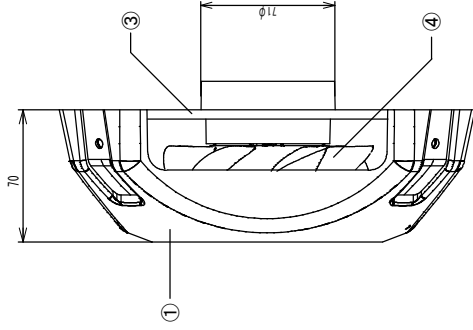
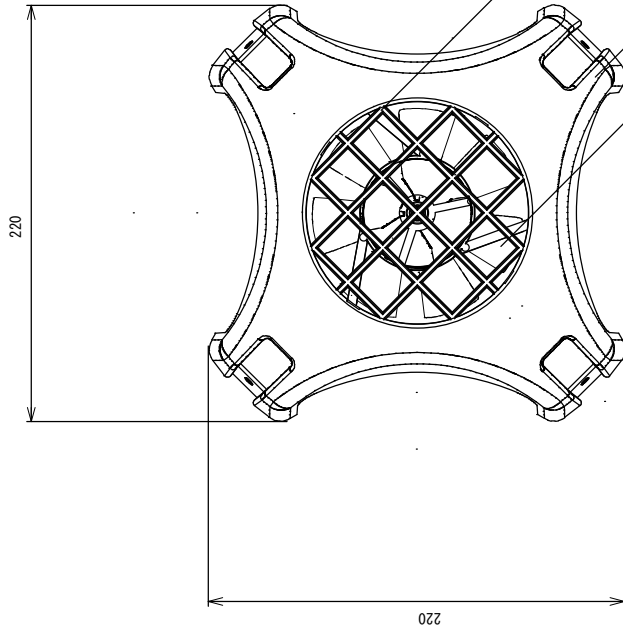




# WindWill Specifications

Revision day August 2009

 Air Conditioning Enterprise co.,Ltd

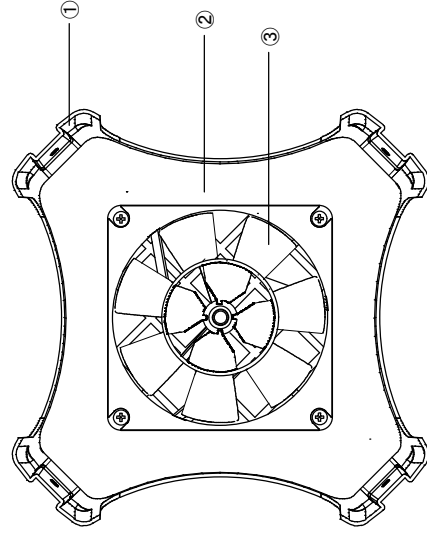
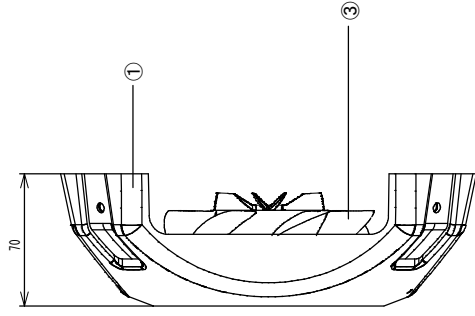
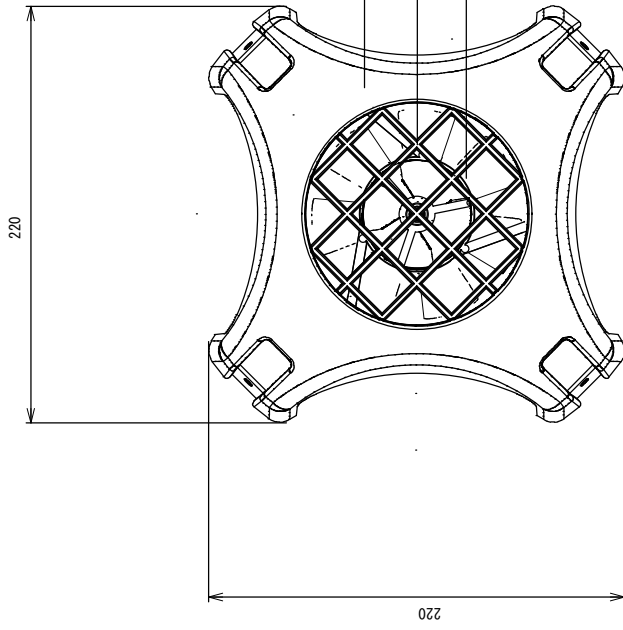


Number	Names	Material	Quantity	Notes
④	Top enclosure	Resin:ABS	1	
③	Double-blade Fan	Resin:PBT, BSM, SUS	1 Set	
②	Inside enclosure	Resin:ABS	1	
①	External Enclosure	Resin:ABS	1	

Imprint	Names		Wind Will	
Scale	Approved	Check	Design	Figure copy
1 / 4				
			No.	WWO1-002
			Date	

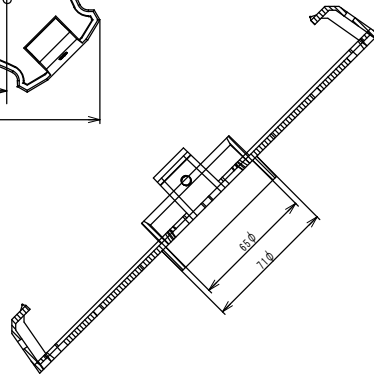
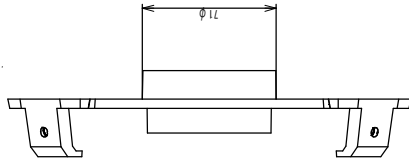
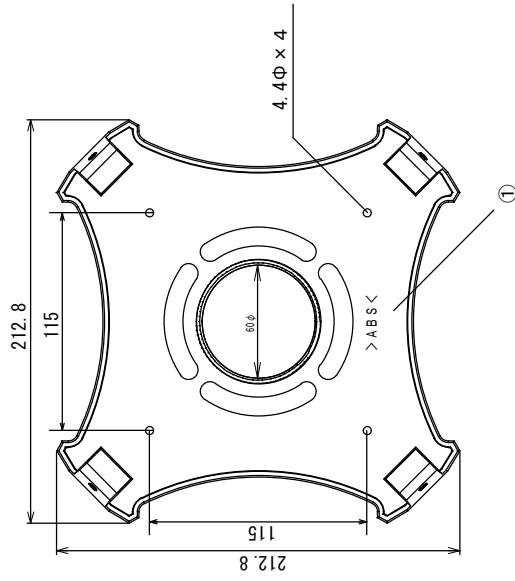
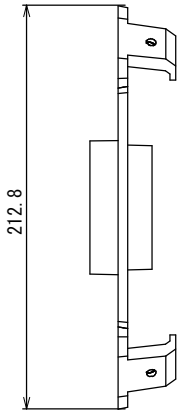
Air Conditioning Enterprise co., Ltd



Number	Names	Material	Quantity	Notes
③	Double-blade Fan	Resin:PBT, BSBM, SUS	1 Set	
②	Inside enclosure	Resin:ABS	1	
①	External Enclosure	Resin:ABS	1	

Imprint		Names		WindWill Main unit	
Scale	Approved	Check	Design	Figure copy	No.
1 / 4					WWO1-002
Date					
Air Conditioning Enterprise co., Ltd					



①	Top enclosure	Resin:ABS	Material	Quantity	Notes
Number	Names			1	
				1 Set	
Imprint					
Names					
Windmill Top enclosure					
Scale	Approved	Check	Design	Figure copy No.	Date
1 / 4				WWO1-002	
Air Conditioning Enterprise co., Ltd					